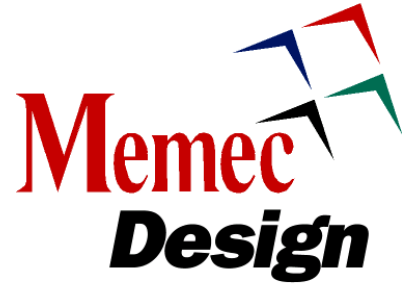
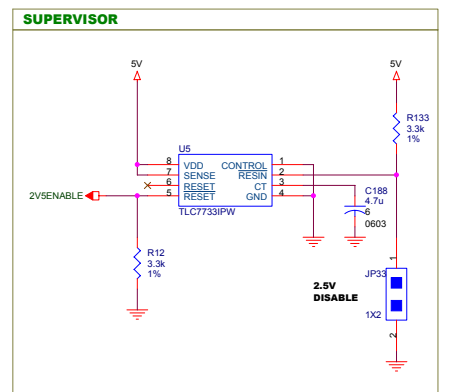
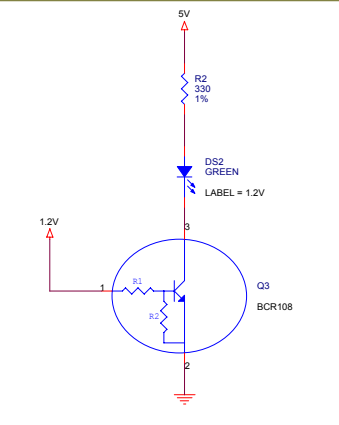
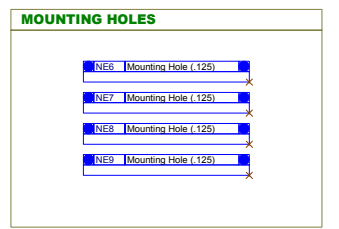
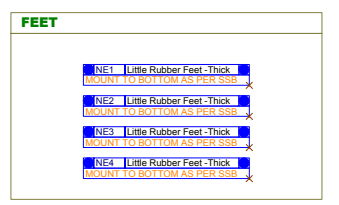
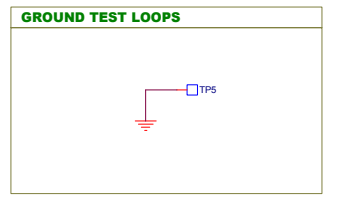
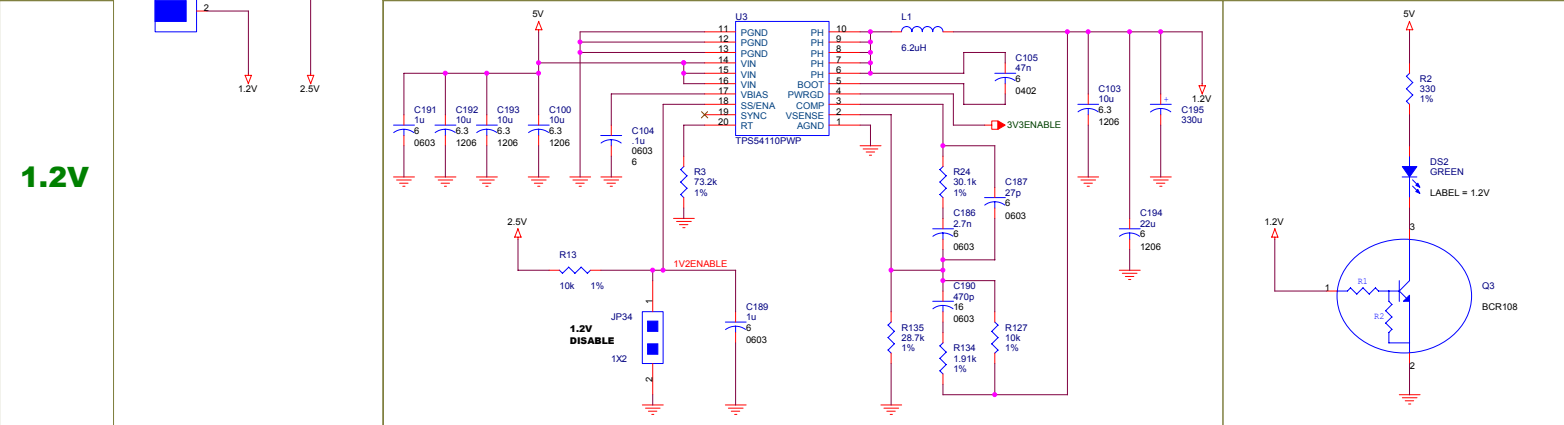
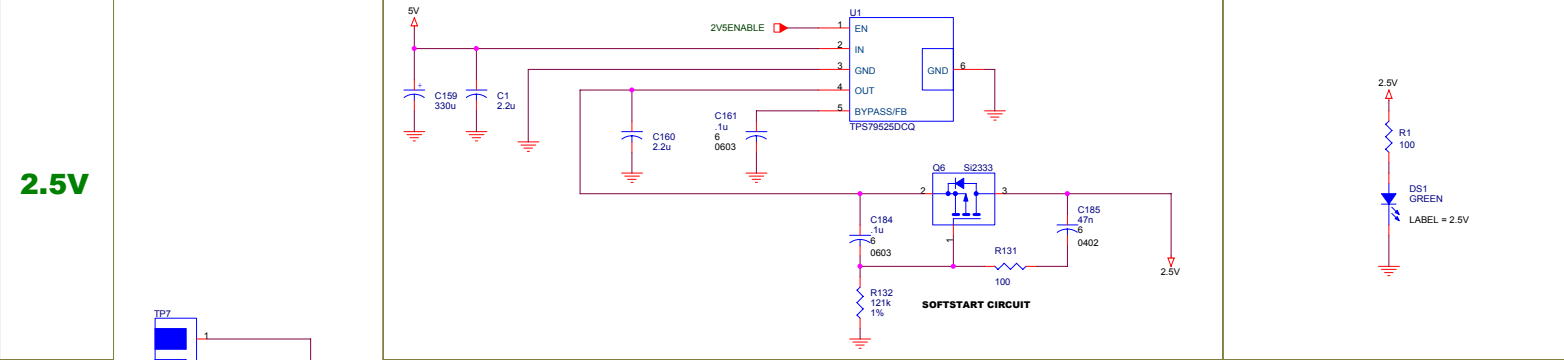
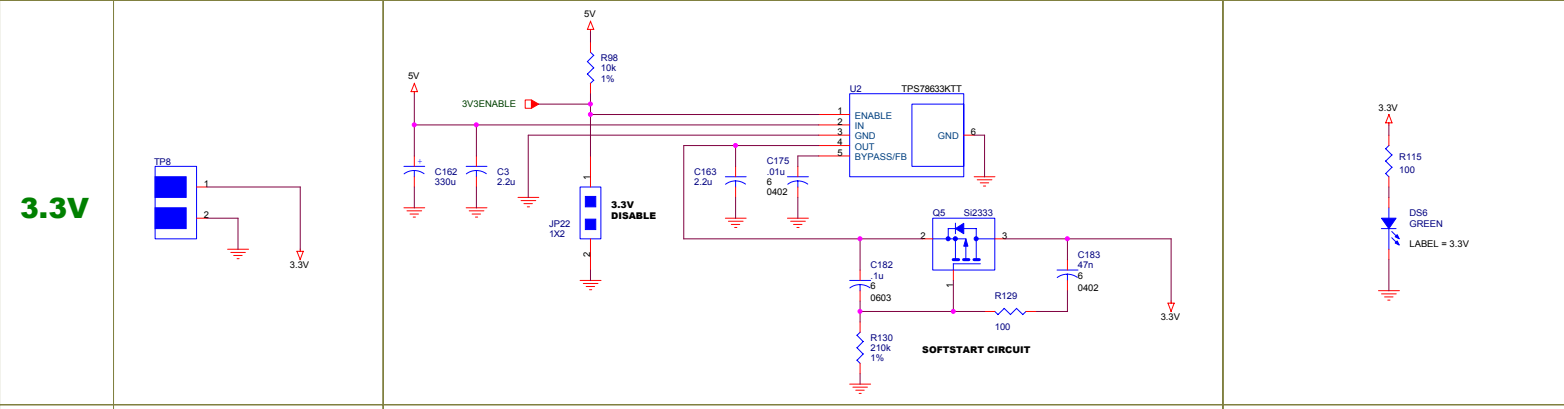
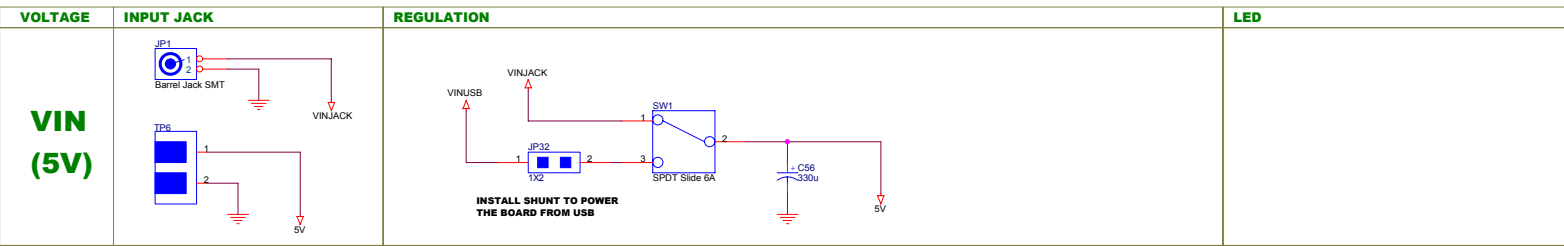


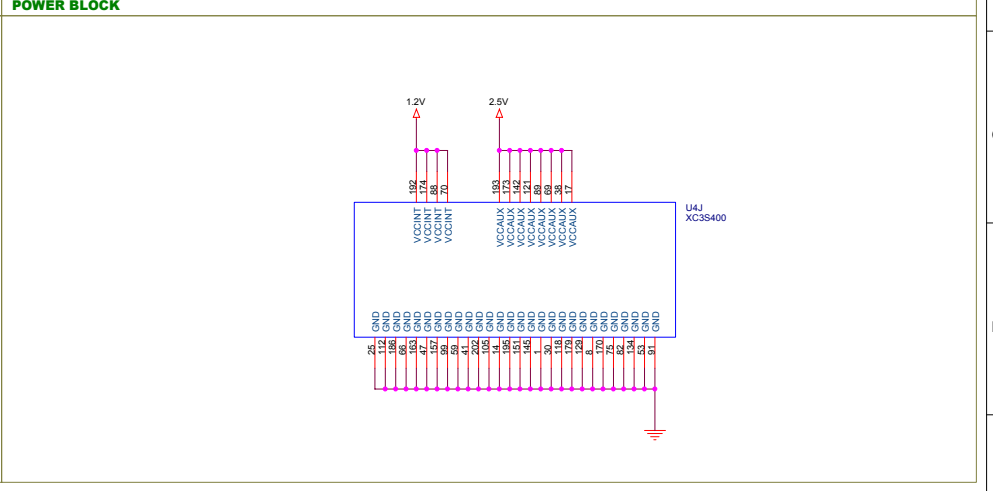
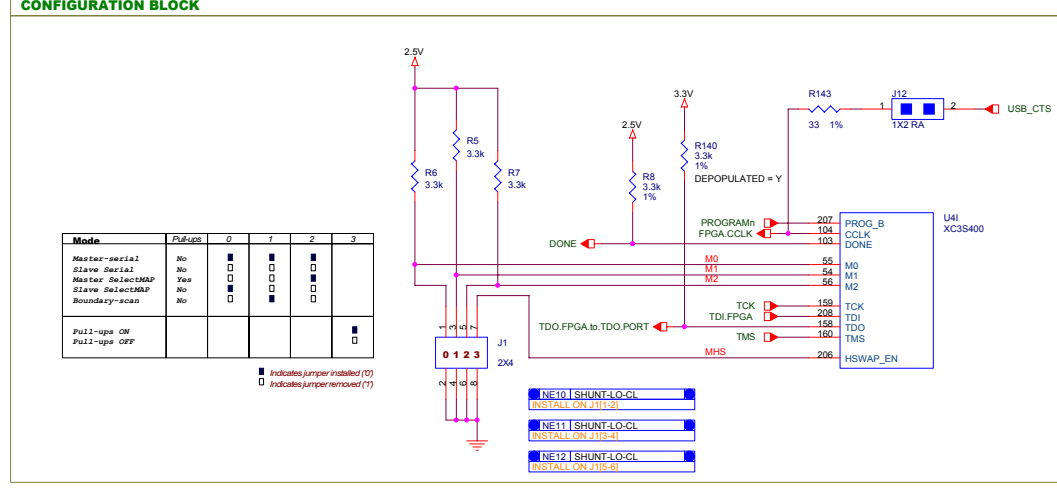
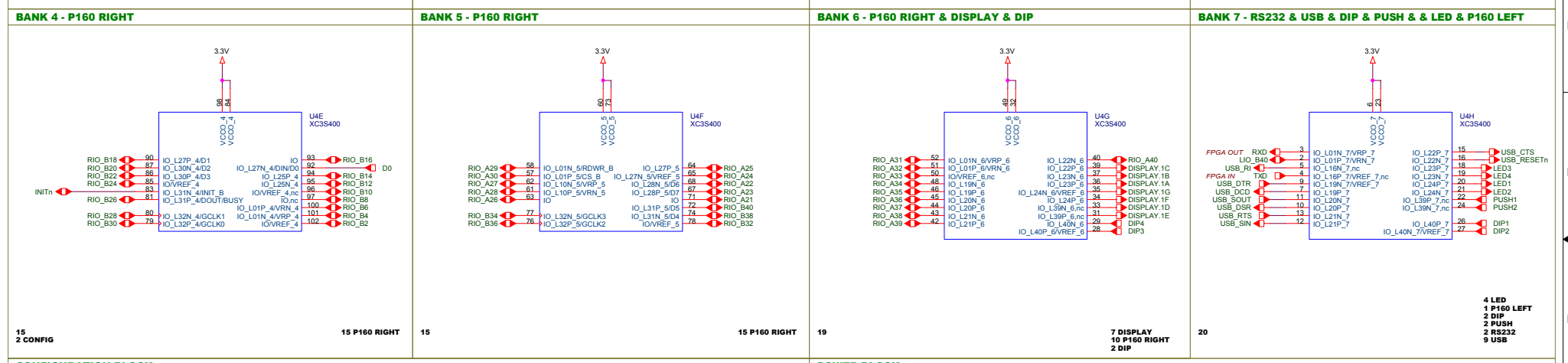
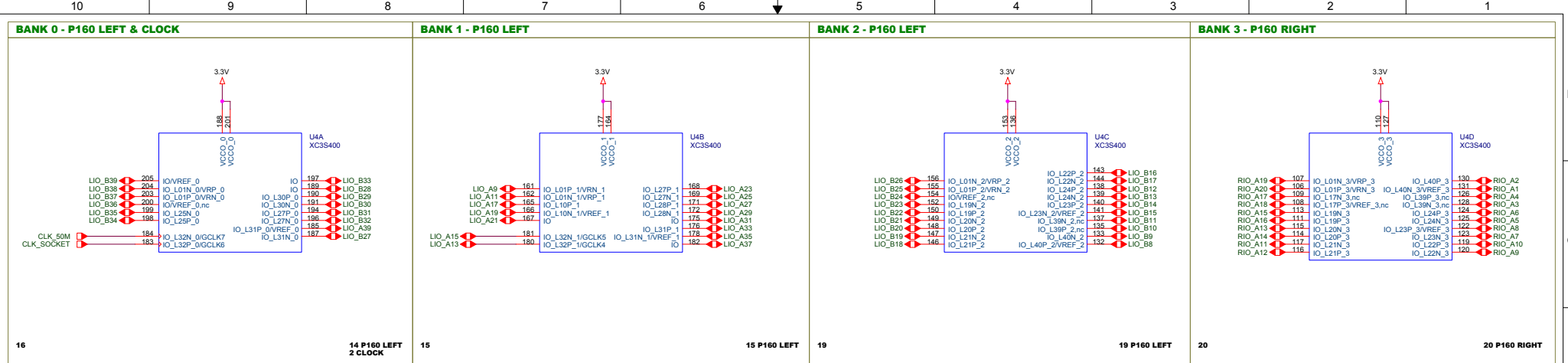
3SxLC

REV2



BOARD NAME :	SPARTAN 3 EVALUATION BOARD
BOARD PART NUMBER :	DS-BD-3SxLC-PQ208
BOARD REVISION :	2

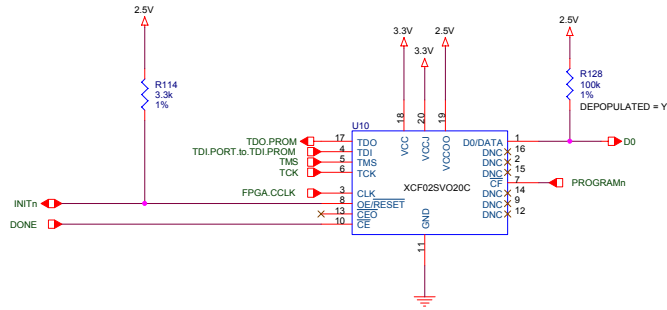




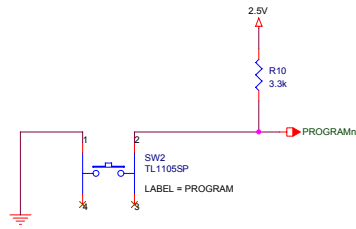
Mode	Pull-ups	0	1	2	3
Master-serial	No	█	█	█	█
Slave-serial	No	□	□	□	□
Master-SelectDIP	Yes	█	█	█	█
Slave-SelectDIP	No	□	□	□	□
Boundary-scan	No	□	□	□	□
Pull2-ups ON					█
Pull2-ups OFF					□

█ indicates jumper installed (0)
 □ indicates jumper removed (1)

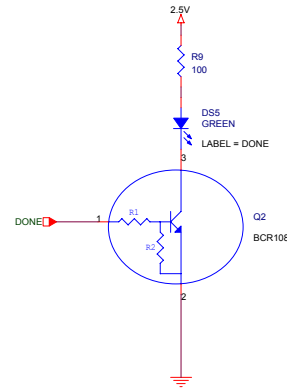
PROM (PLATFORM FLASH)



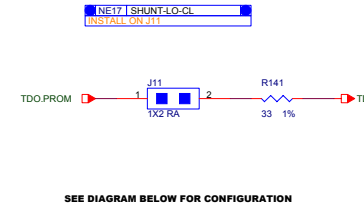
PROGRAM PUSHBUTTON



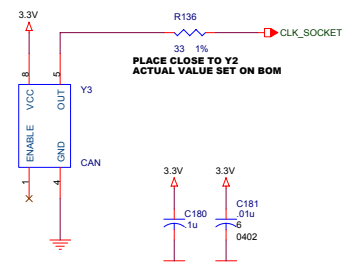
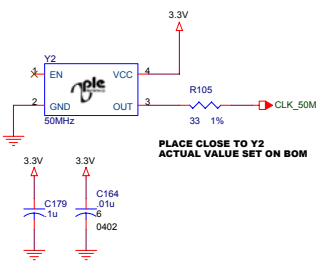
DONE LED



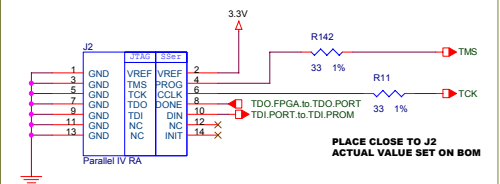
PROM JTAG BYPASS



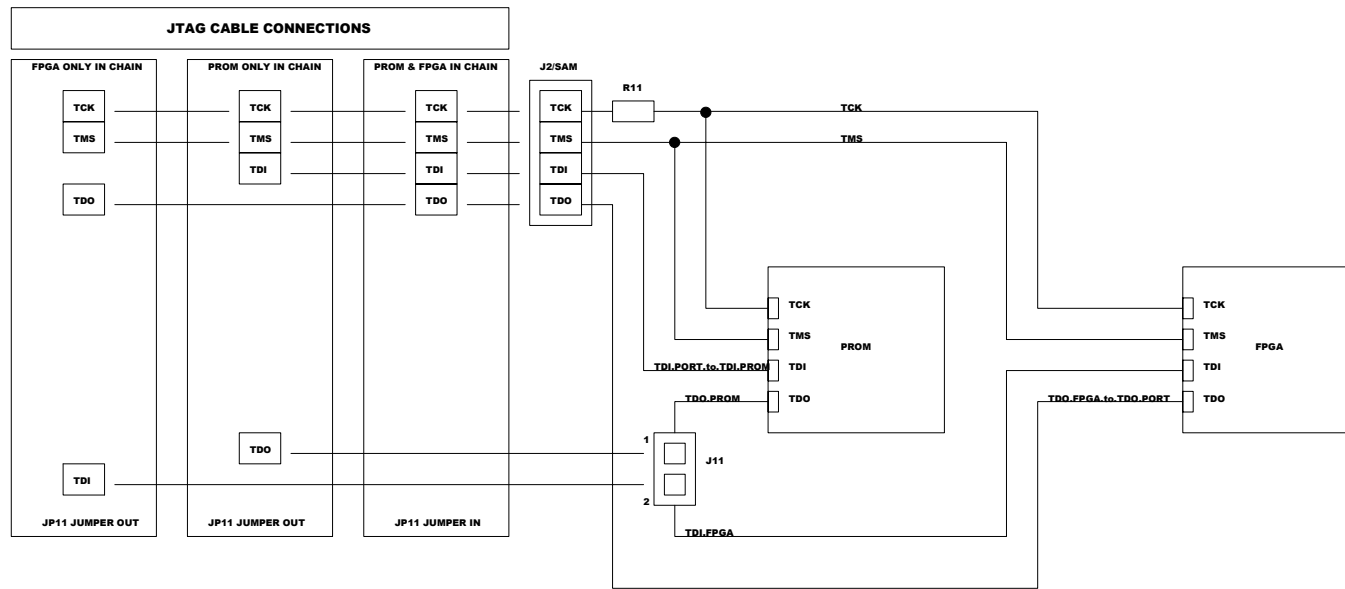
CLOCKS



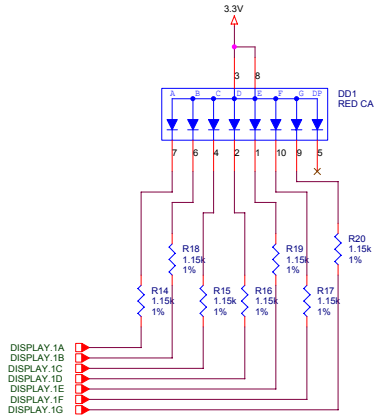
JTAG PORT



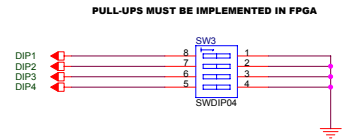
JTAG CONNECTION DIAGRAM



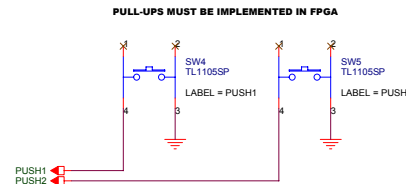
SEVEN SEGMENT DISPLAYs



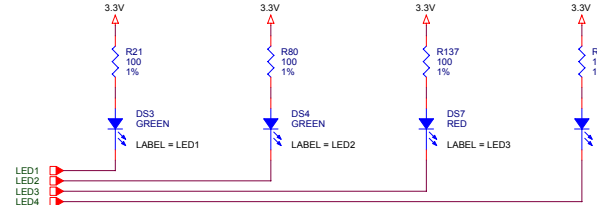
DIP SWITCH



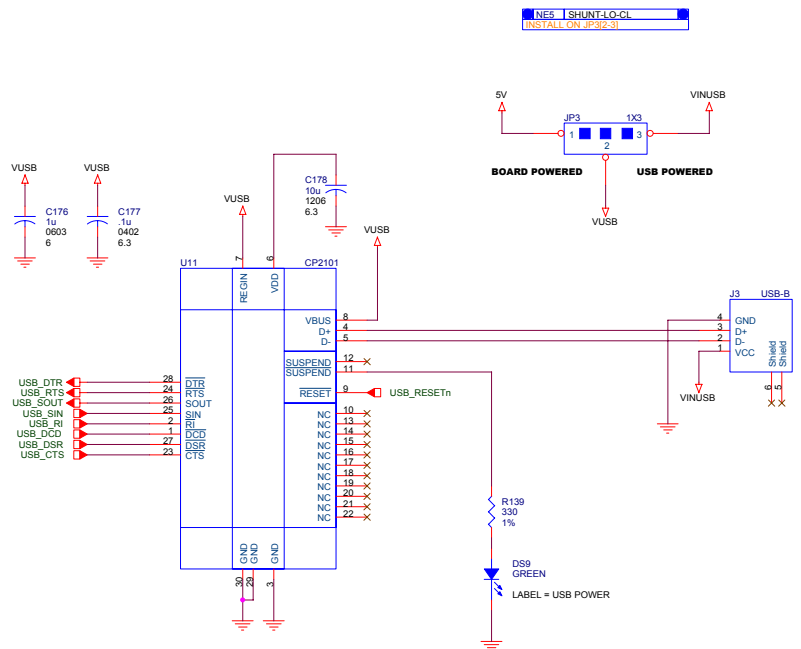
PUSHBUTTONS



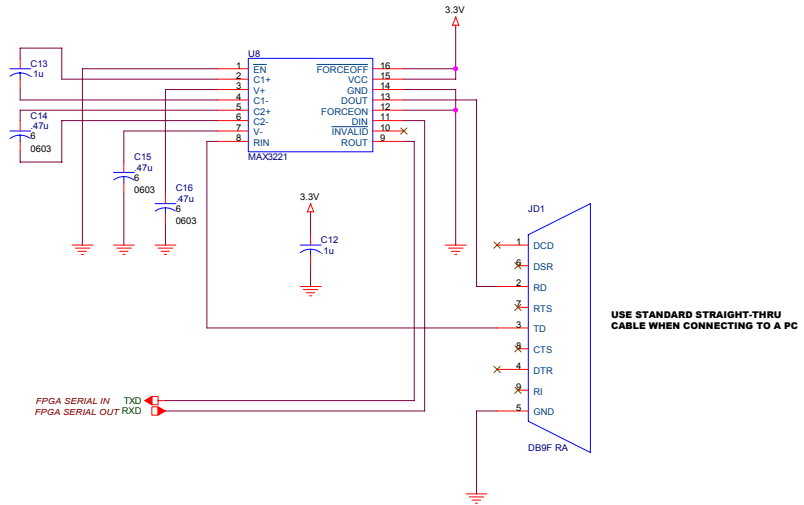
LEDs



USB

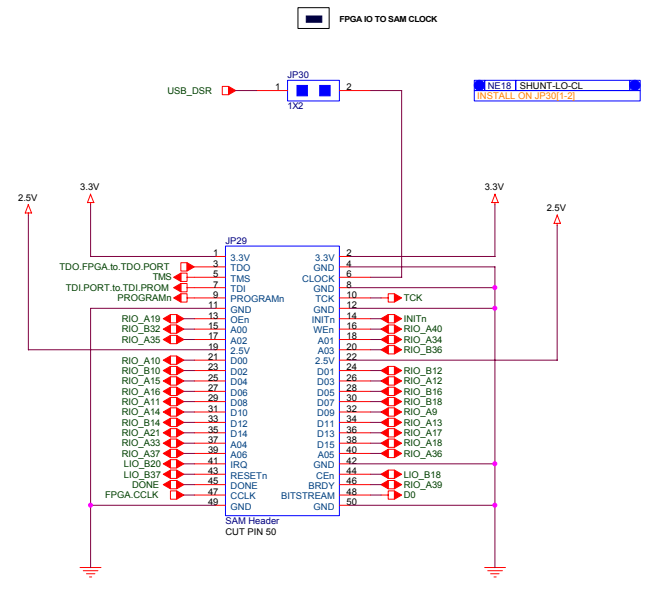


SERIAL PORT

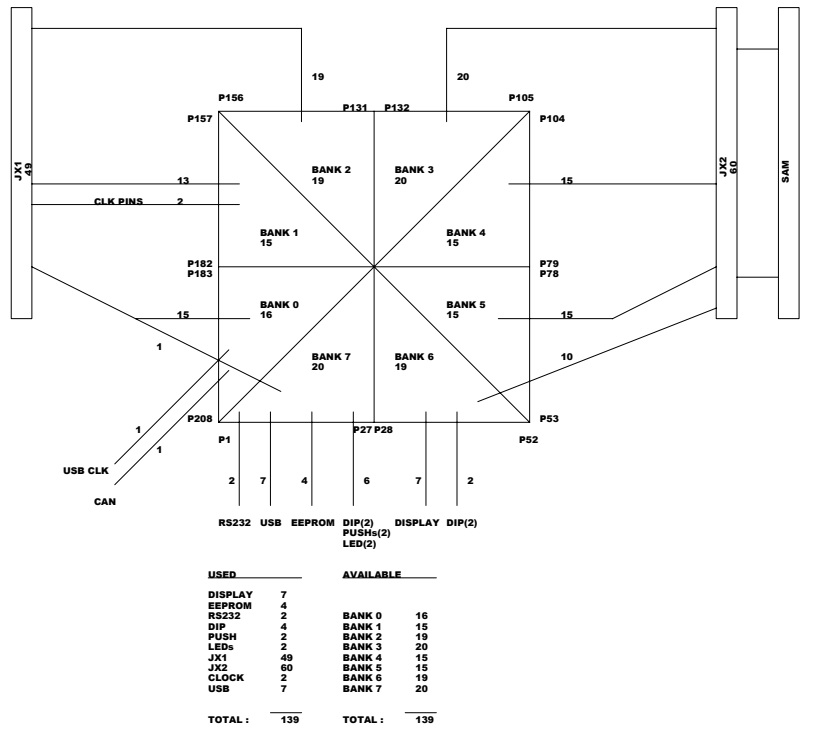


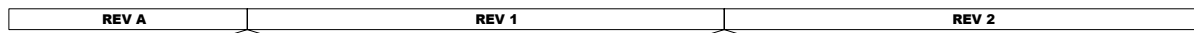


SYSTEM ACE MODULE



PLACEMENT





CHANGED USB FROM TI TO CYGNAL	ADDED CCLK JUMPER
ADDED ASSEMBLY NOTES	CHANGED SAM CLOCK JUMPER CONNECTIONS
ADDED CLOCK SOCKET	CHANGED SSD TO 0750
REMOVED EEPROM	CHANGED SSD RESISTOR VALUES TO 1.15k
CHANGED US SUPERVISOR	MODIFIED JTAG CHAIN FOR 3.3V OPERATION
CHANGED 1.2V CONVERTER TO SWIFT	ADDED OPTIONAL PULL-UP ON FPGA's TDO
REDESIGNED POWER SEQUENCING	ADDED ALTERNATE PART NUMBER FOR INDUCTOR (L1)
ADDED SOFTSTART CIRCUITS TO 2.5V AND 3.3V	REMOVED REDUNDANT PULL-UP FROM DONE LINE
CHANGED DONE LED DRIVE TRANSISTOR TO BCR108	
ADDED TWO USER LEDs	
REDUCED CURRENT THROUGH 1.2V LED (100 TO 330 OHM)	
ADDED JUMPER BLOCK TO USB UART SIGNALS	